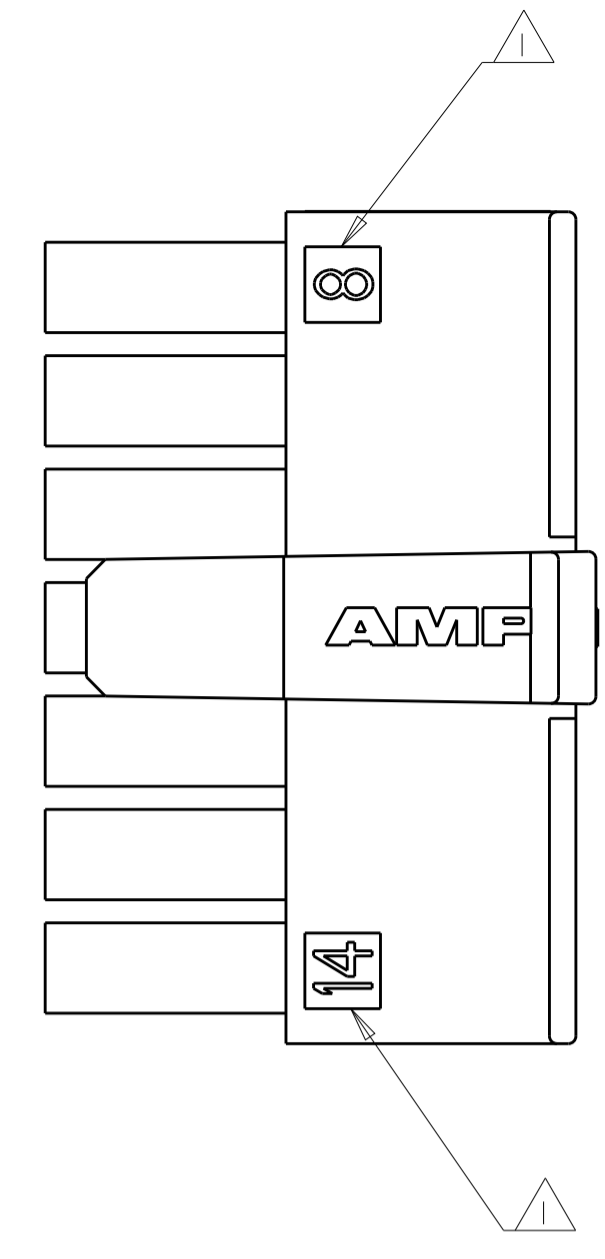
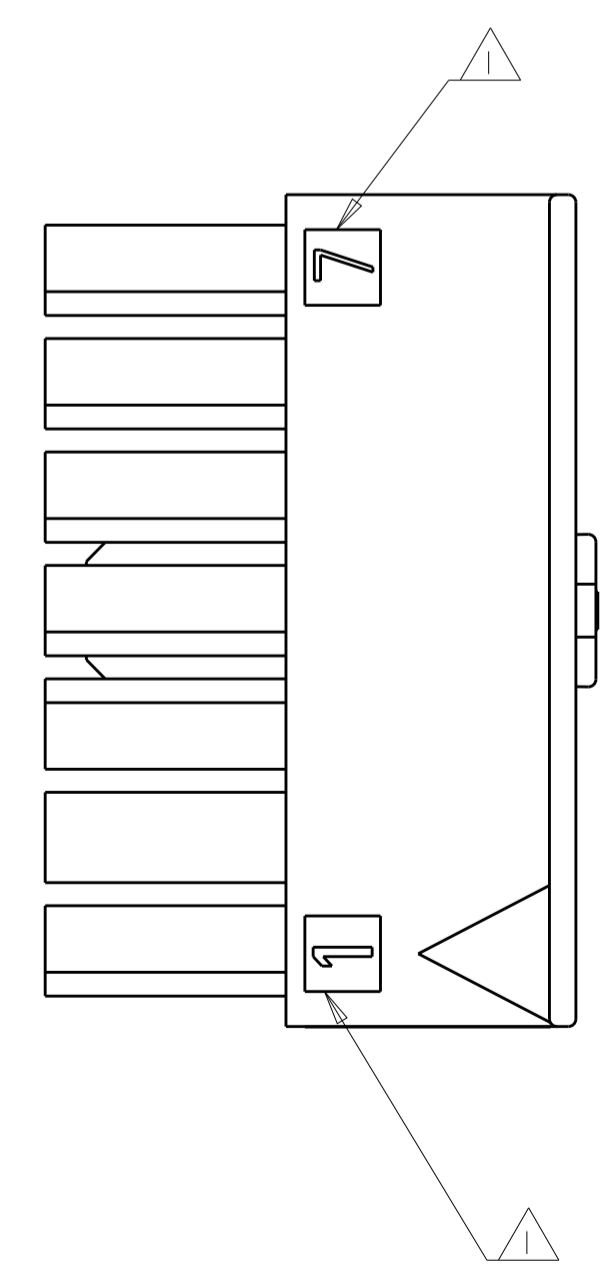
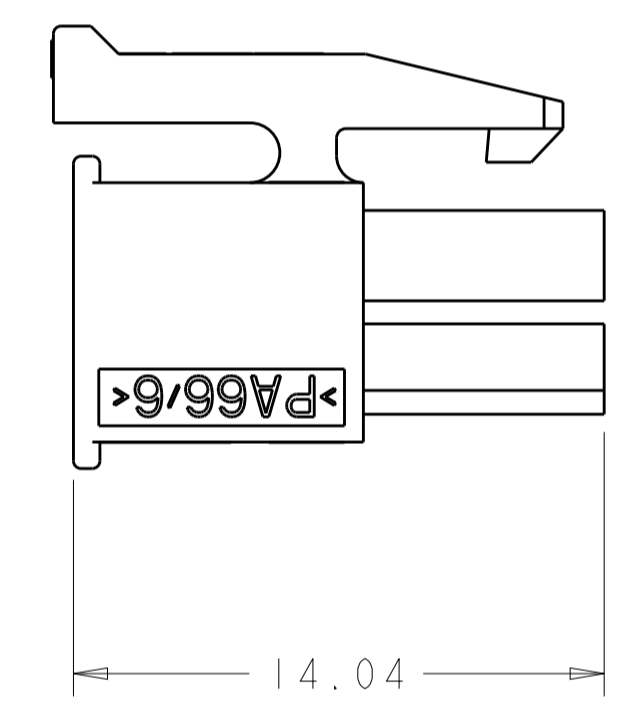
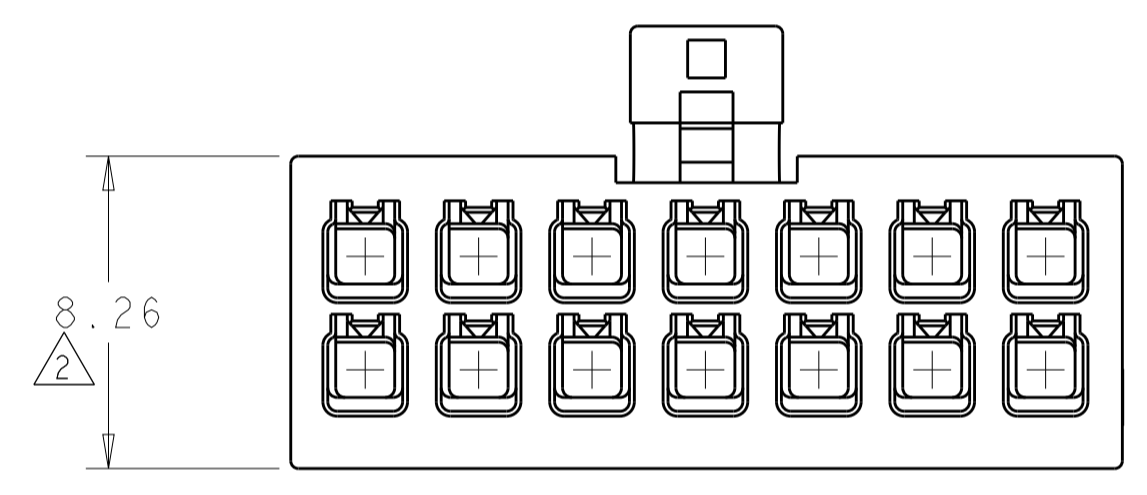
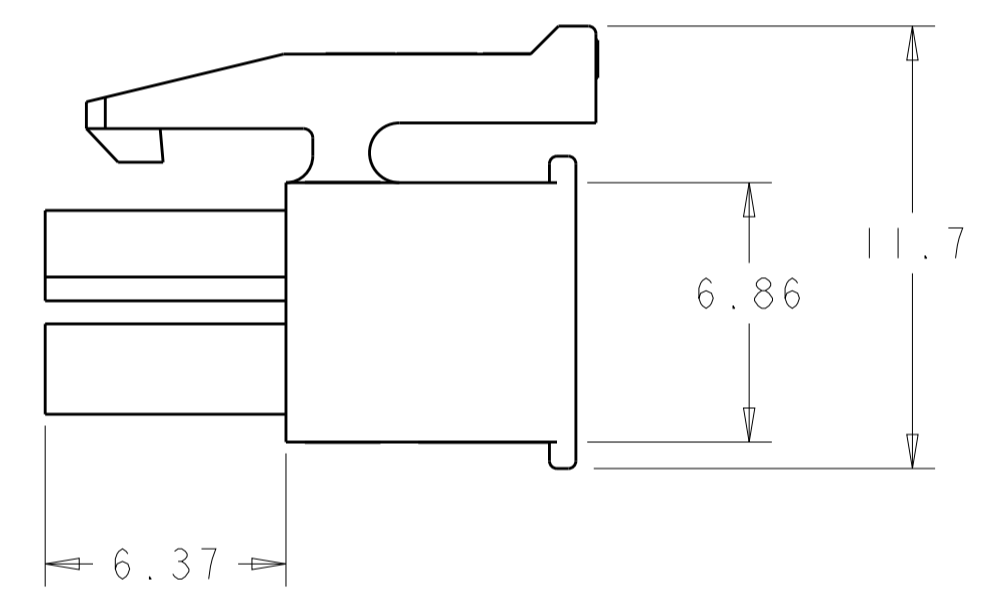
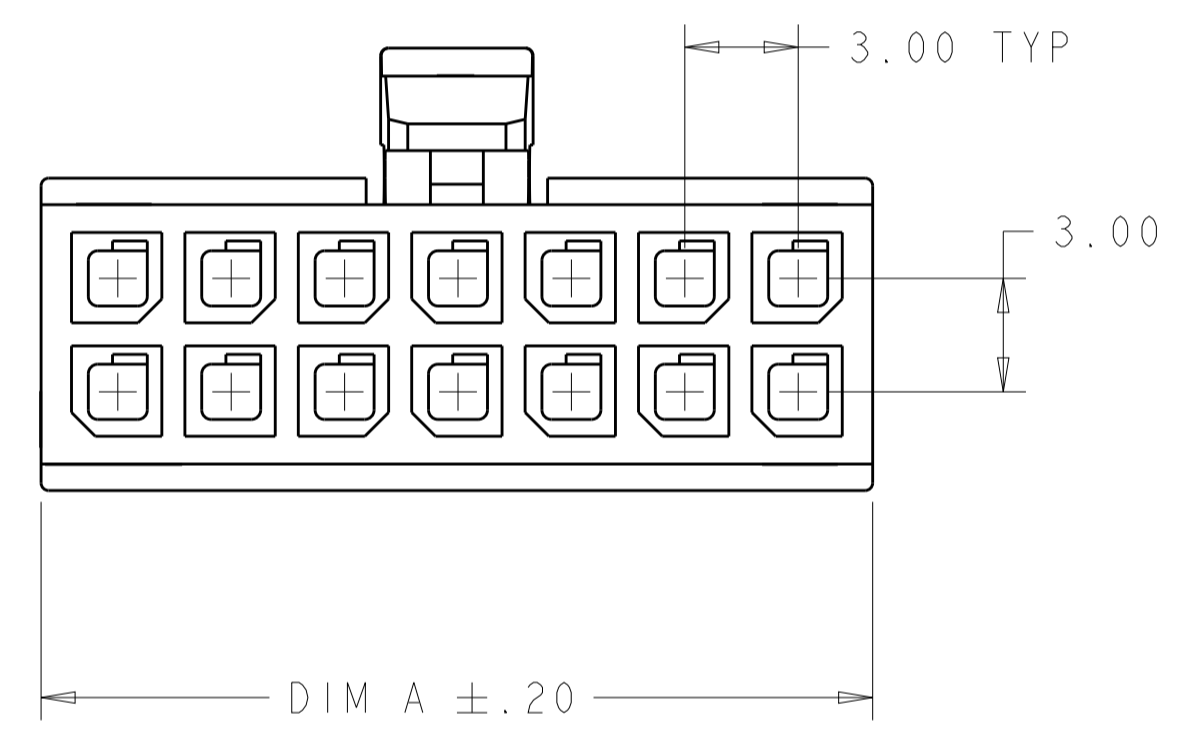


LOC	DIST	REVISIONS					
CM	53	P	LTM	DESCRIPTION	DATE	DWN	APVD
		E3		REVISED PER ECR-12-015771	11SEP2012	KH	TM
		E4		REVISED PER ECR-13-016336	21OCT2013	AV	RP
		E5		REVISED PER ECR-14-010163	27NOV2014	AV	ZD
		E6		REVISED PER ECR-15-015291	22DEC2015	SC	ZD



- △1 CIRCUIT IDENTIFIER, LOCATED APPROXIMATELY AS SHOWN.
- △2 DIMENSION ONLY 7.56 ON 2 POSITION.
- △3 MATERIAL NYLON66/6 V0 UL94.
- △4 MATERIAL PA6 V0 UL94.
- △5 MATERIAL PA66 V0 GW UL94.
- △6 PRELIMINARY PART NOT RELEASED FOR PRODUCTION.



REMARK	DIM A	NO. OF POS.	PART NUMBER	
		10	6	3-794617-6
△5 △6		7	4	3-794617-4
		4	2	3-794617-2
△5	13.00	8	3-794617-8	
△4 △6	13.00	8	2-794617-8	
	37.00	24	2-794617-4	
	34.00	22	2-794617-2	
	31.00	20	2-794617-0	
	28.00	18	1-794617-8	
△3	25.00	16	1-794617-6	
	22.00	14	1-794617-4	
	19.00	12	1-794617-2	
	16.00	10	1-794617-0	
	13.00	8	794617-8	
	10.00	6	794617-6	
	7.00	4	794617-4	
△3 △2	4.00	2	794617-2	

THIS DRAWING IS A CONTROLLED DOCUMENT. DWN: K. WHITAKER 14OCT1999  
 CHK: K. COBLE 14OCT1999  
 APVD: K. COBLE 14OCT1999

**STE** TE Connectivity

RECEPTACLE HOUSING, 2 TO 24 POSITION, DUAL ROW, MICRO MATE-N-LOK™

ITEM: 0 PLC ±. 1 PLC ±. 2 PLC ±0.26 3 PLC ±. 4 PLC ±. ANGLES ±.030

MATERIAL: △3 △4 △5 FINISH: - WEIGHT: -

Customer Drawing SCALE: 5:1 SHEET 1 OF 1 REV E6